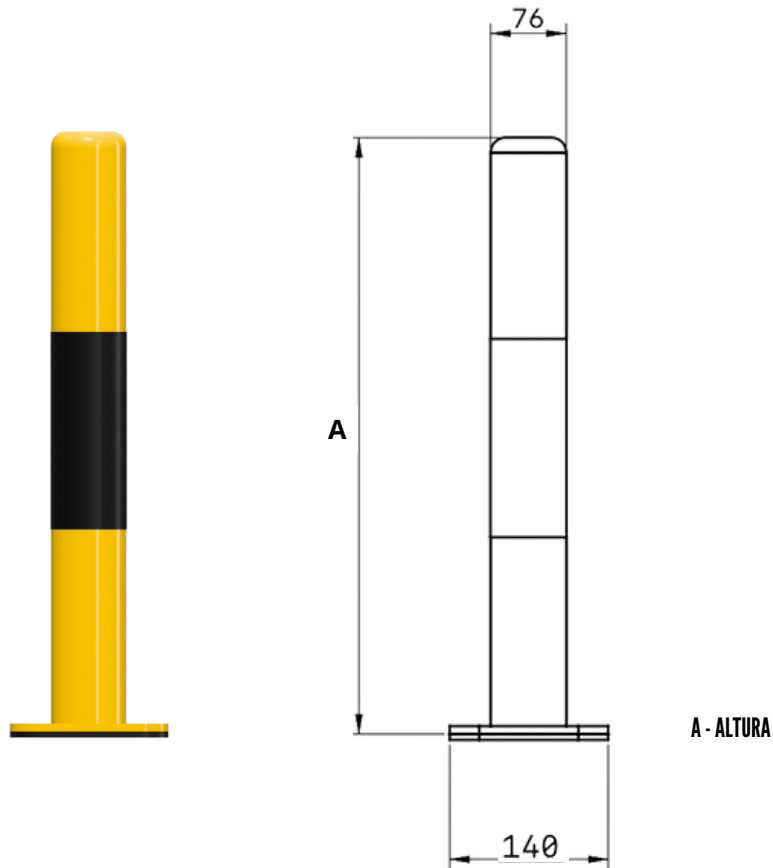


# PIN PN.1 TECHNICAL SHEET



R-PROTECTION

## PIN LINE STANDARD PIN



### TECHNICAL SPECS

- Steel tube S195T 76x3mm;
- 180x180mm fixing base made of DC01 steel and vulcanised neoprene;
- Two-layer epoxy paint treatment:
  - Yellow - RAL 1003;
  - Black - RAL 9005.

### GROUND ANCHORING

- Anchoring base:
  - 8mm steel;
  - 6mm vulcanised neoprene for impact cushioning;
- 4 installation holes M10.

REFERENCE	DESCRIPTION
PN900	900mm Pin
PN600	600mm Pin



+351 926 031 016  
GERAL@R-PROTECTION.COM

WWW.R-PROTECTION.COM  
RUA DA PAZ 90-94, PAVILHÃO 15  
3800-587 CACIA, AVEIRO - PORTUGAL

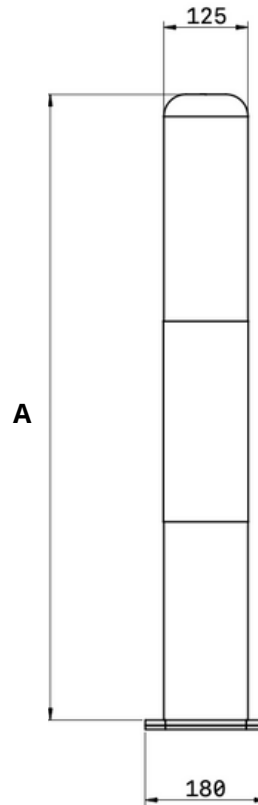


# PIN PN.1 TECHNICAL SHEET



R-PROTECTION

## PIN LINE HEAVY PIN



A - HEIGHT

### TECHNICAL SPECS

- Steel tube S195T 125x3mm;
- 180x180mm fixing base made of DC01 steel and vulcanised neoprene;
- Two-layer epoxy paint treatment:
  - Yellow - RAL 1003;
  - Black - RAL 9005.

### GROUND ANCHORING

- Anchoring base:
  - 8mm steel;
  - 6mm vulcanised neoprene for impact cushioning;
- 4 installation holes M10.

REFERENCE	DESCRIPTION
PNH900	900mm Pin "Heavy"
PNH600	600mm Pin "Heavy"



+351 926 031 016  
GERAL@R-PROTECTION.COM

WWW.R-PROTECTION.COM  
RUA DA PAZ 90-94, PAVILHÃO 15  
3800-587 CACIA, AVEIRO - PORTUGAL

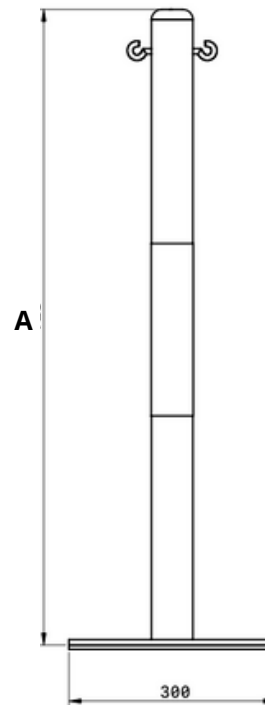
in o f

# PIN PN.1 TECHNICAL SHEET



R-PROTECTION

## PIN LINE ISLAND PIN



A - HEIGHT

### TECHNICAL SPECS

- Steel tube S195T 60x3mm;
- 300mm base made of DC01 steel and vulcanised neoprene;
- Two-layer epoxy paint treatment:
  - Yellow - RAL 1003;
  - Black - RAL 9005.

REFERENCE	DESCRIPTION
PNC900	900mm Mobile Chain Pin

CHAIN SIZE ON REQUEST



+351 926 031 016  
GERAL@R-PROTECTION.COM

WWW.R-PROTECTION.COM  
RUA DA PAZ 90-94, PAVILHÃO 15  
3800-587 CACIA, AVEIRO - PORTUGAL

